

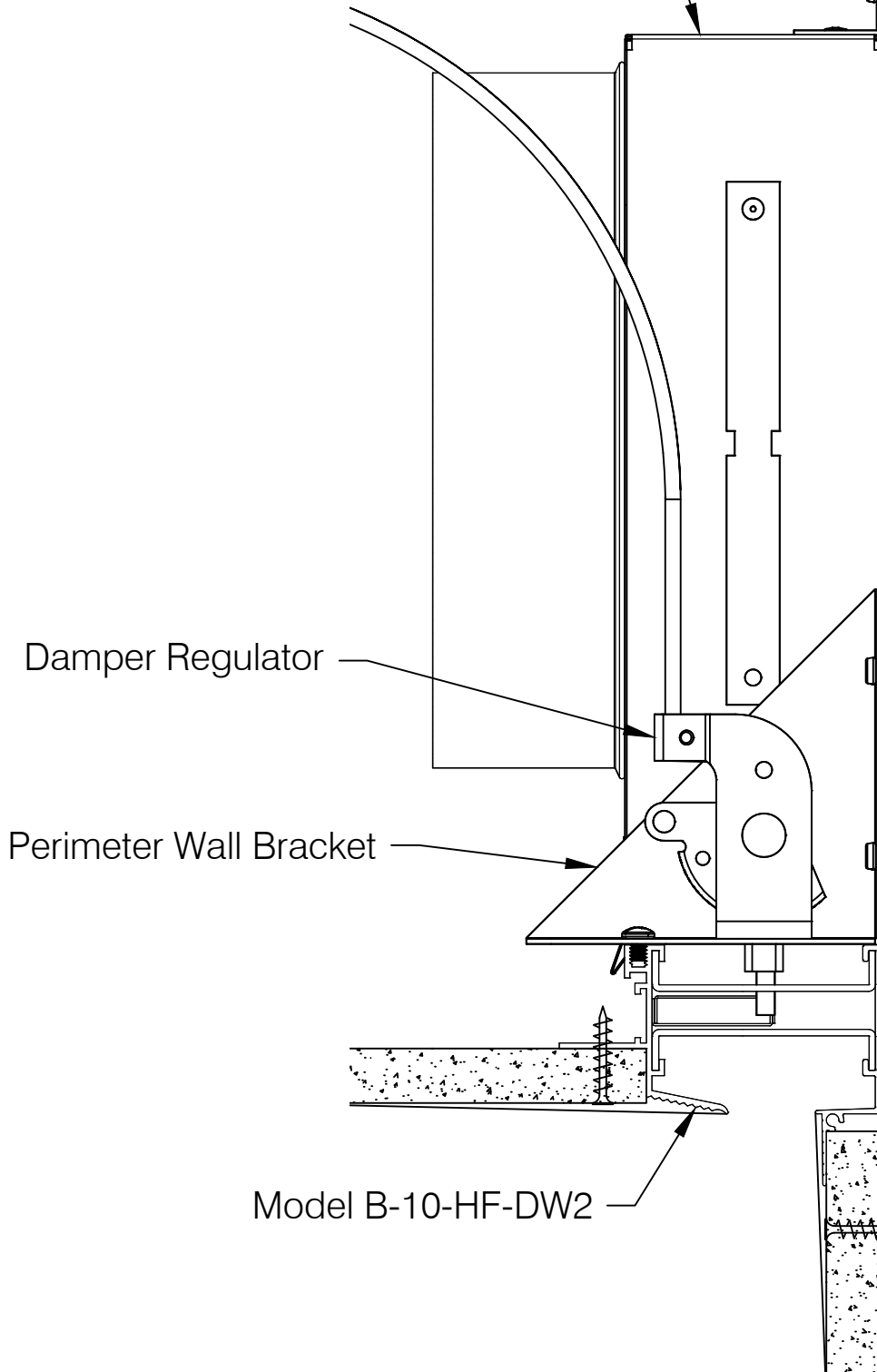


# AIR FACTORS

4771 ARROYO VISTA, SUITE D  
LIVERMORE, CA 94551

PH. # 925-579-0040  
FAX # 925-579-0044

Model SAC-10(dw2)-48"-8"Ø



Damper Regulator

Perimeter Wall Bracket

Model B-10-HF-DW2

PROJECT:

TITLE:

PERIMETER WALL BKT & REGULATOR

DATE:

DRAWN:

Robert Gibbs

SCALE:

NTS

DWG. #:

9-E8-A