

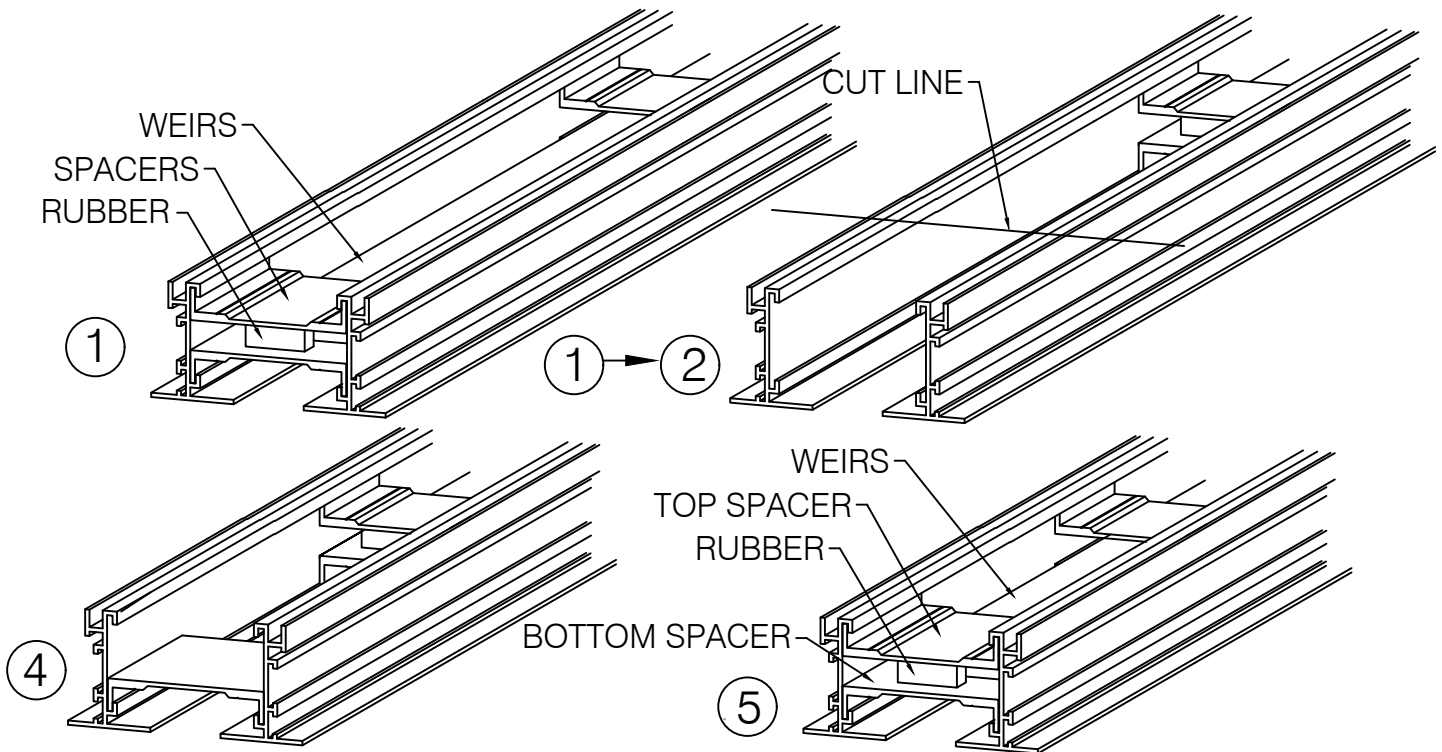


AIR FACTORS

4771 ARROYO VISTA, SUITE D
LIVERMORE, CA 94551

PH. # 925-579-0040
FAX # 925-579-0044

FIELD CUT



INSTRUCTIONS:

- 1: Remove spacers, rubber & weirs (note weir position) at one end of Air Bar.
- 2: Cut Air Bar to length.
- 3: Cut the same length from weirs. Give the upper weir a slight bow so that the ends will press against the upper spacer.
- 4: Replace the bottom spacer at the end of the Air Bar.
- 5: Replace weirs (per above position), rubber & top spacer.

Note: If weir length is smaller than 10", install a blank off in place of the weirs. (Blank off to be 1" longer than weir length, install under rubber).

PROJECT:

TITLE:

FIELD CUT AIR BAR

DATE:

DRAWN:

Sophie Duquay

SCALE:

NTS

DWG. #:

9-E7-A