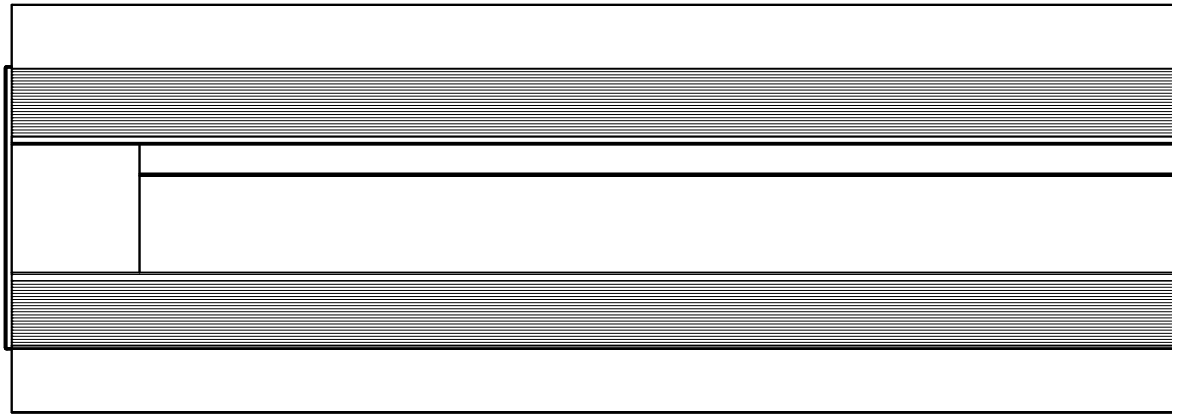
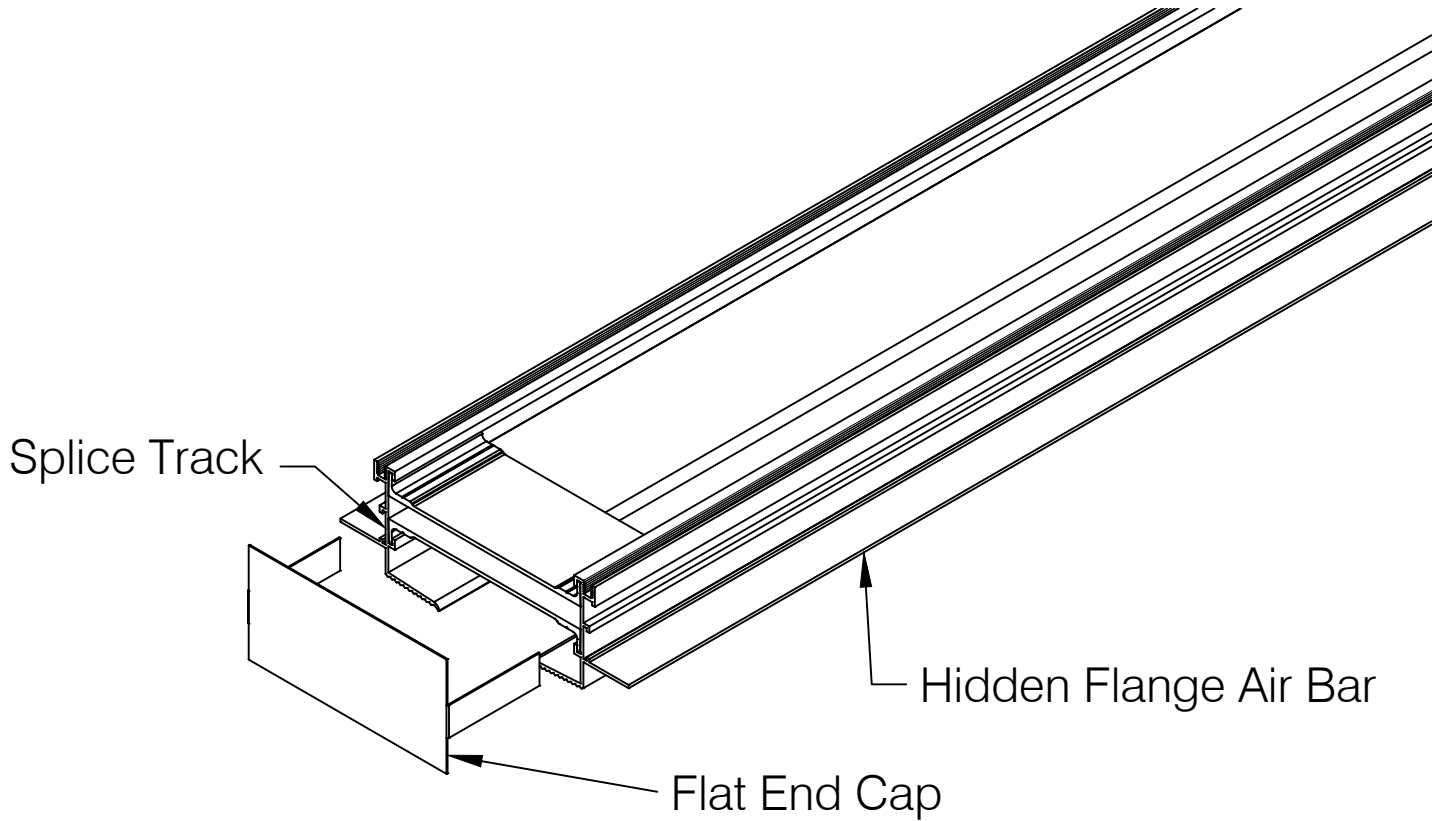


AIR FACTORS

4771 ARROYO VISTA, SUITE D
LIVERMORE, CA 94551

PH # 925-579-0040
FAX # 925-579-0044



Face View

PROJECT:
DODGE & COX, 555 CALIFORNIA

TITLE:
FLAT END CAPS

DATE:
3/9/17

DRAWN:
Robert Gibbs

SCALE:
NTS

DWG.#:
6-2A-1