

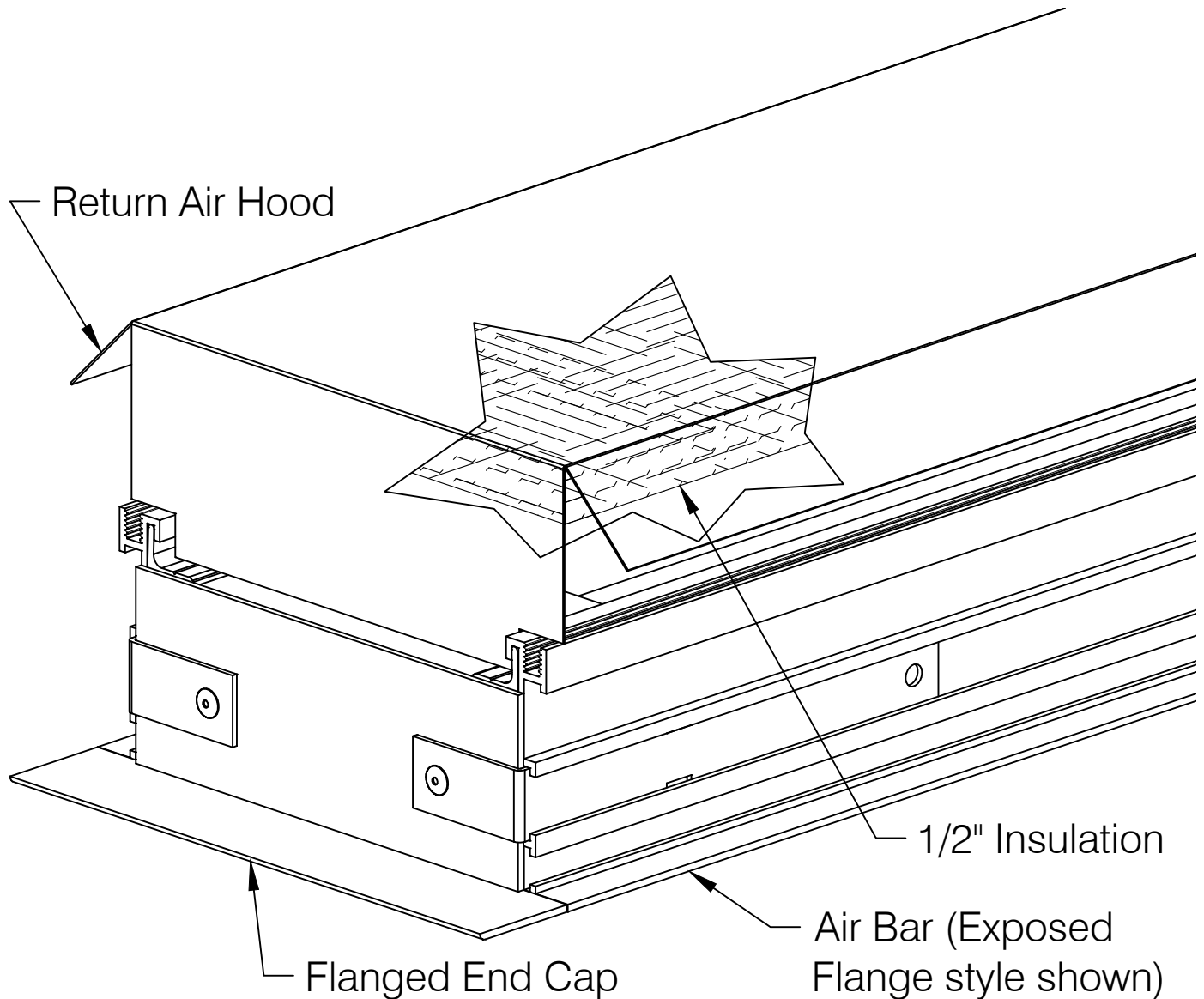


AIR FACTORS

4771 ARROYO VISTA, SUITE D
LIVERMORE, CA 94551

PH # 925-579-0040
FAX # 925-579-0044

RETURN AIR HOOD



The Air Factors Return Air Hood is used to provide a sound and "sight-tite" trap. It covers over an Air Bar used to conduct room air into a ceiling plenum. Air flow restriction is minimal.

Made from 26 gauge galvanized steel, 1/2" acoustical duct liner is included. Interior surfaces are painted flat black. Standard nominal sizes are 2', 3', and 4' long.

5-R-1A