

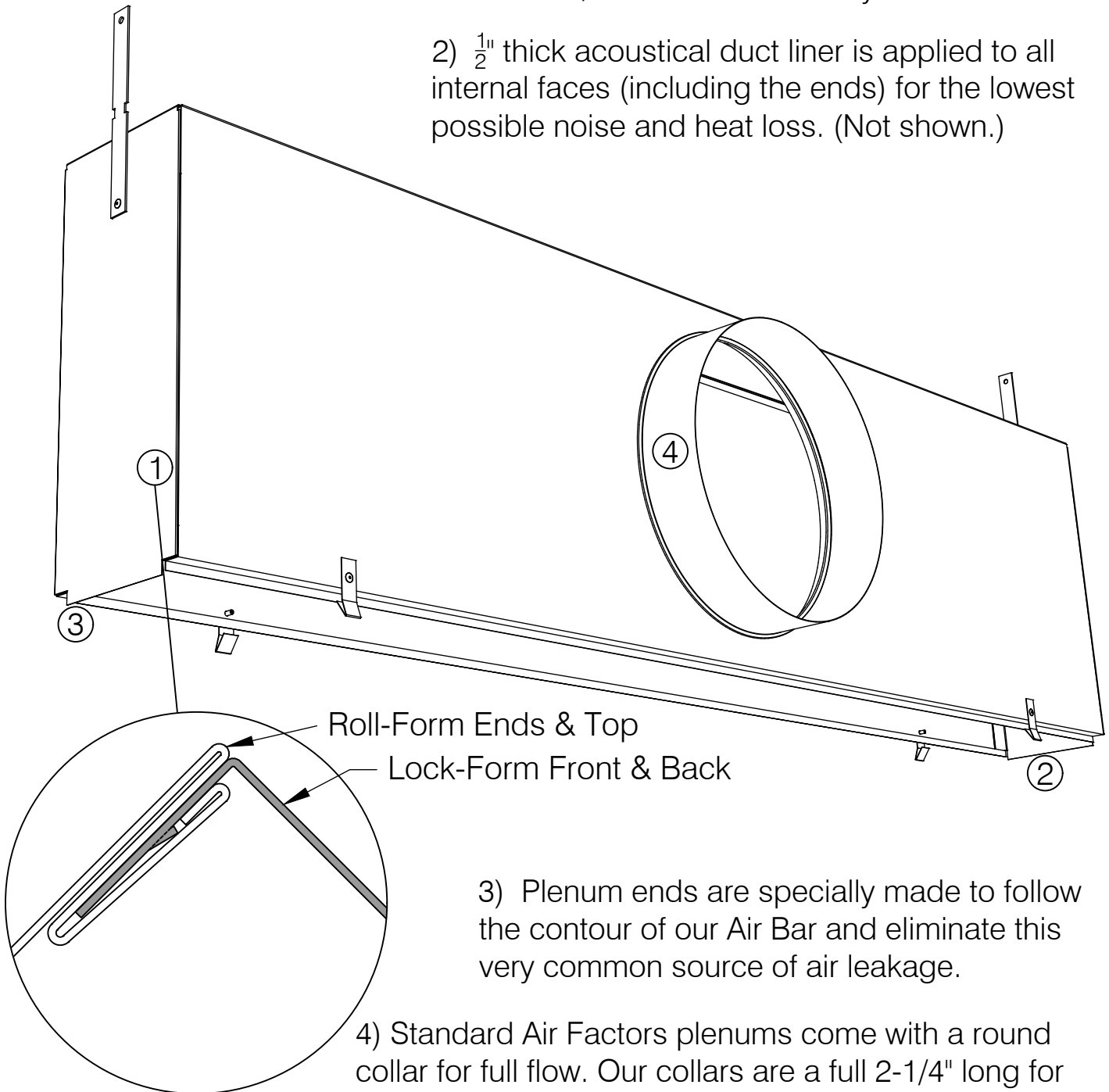


AIR FACTORS

SUPPLY AIR CHAMBER

1) Made of 26 gauge galvanized steel for lighter weight and carbon footprint. Superior strength from Air Factors' Roll-Form/Lock-Form assembly.

2) $\frac{1}{2}$ " thick acoustical duct liner is applied to all internal faces (including the ends) for the lowest possible noise and heat loss. (Not shown.)



3) Plenum ends are specially made to follow the contour of our Air Bar and eliminate this very common source of air leakage.

4) Standard Air Factors plenums come with a round collar for full flow. Our collars are a full 2-1/4" long for quick, reliable and secure flexible duct connections.

Standard sizes up to 6' long.

Need a special configuration? No problem, just ask.