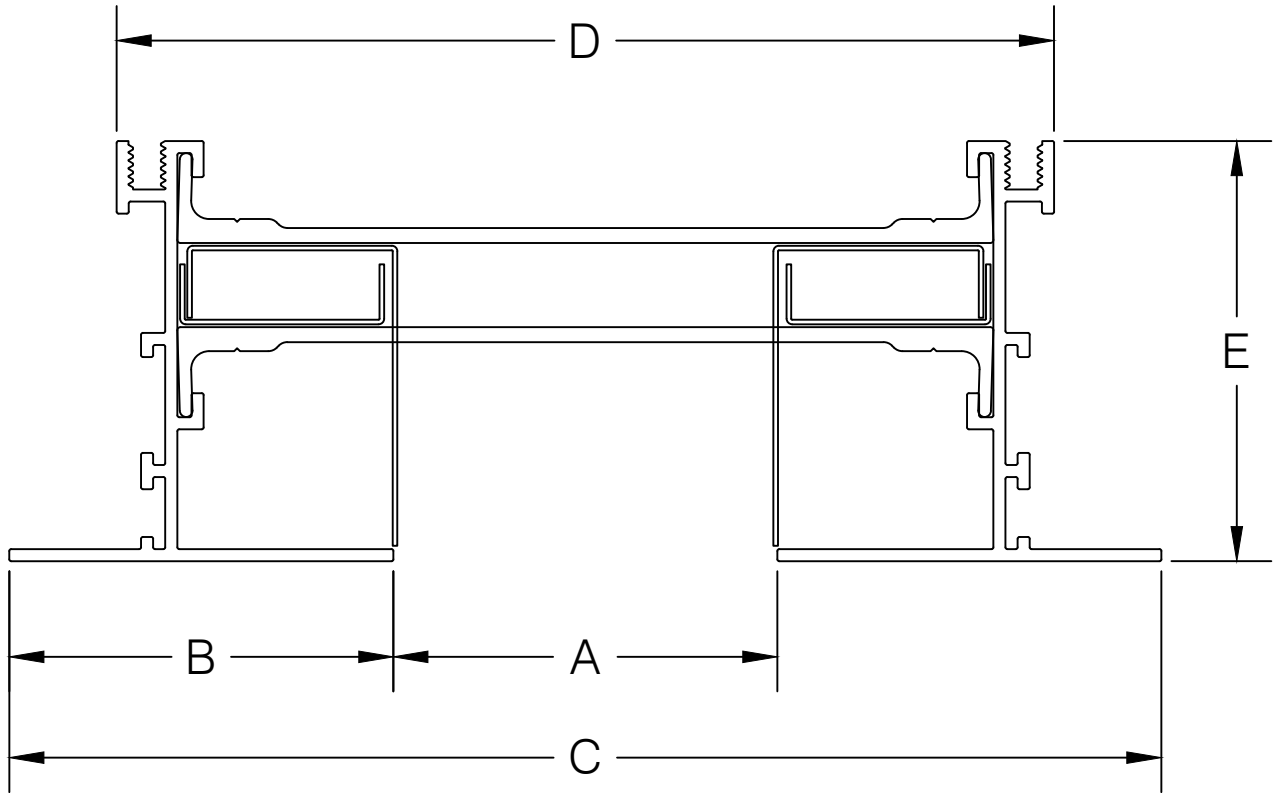




AIR FACTORS

4771 ARROYO VISTA, SUITE D
LIVERMORE, CA 94551

PH. # 925-579-0040
FAX # 925-579-0044



MODEL	A	B	C	D	E
B-10-WFWF-JP	1	1-1/2	4	2-7/8	1-11/16
B-15-WFWF-JP	1-1/2	2	5-1/2	3-7/8	1-15/16
B-20-WFWF-JP	2	2	6	4-7/8	2-3/16
B-25-WFWF-JP	2-1/2	2-1/4	7	6	2-1/2
B-30-WFWF-JP	3	2-1/2	8	7	2-3/4

PROJECT:

TITLE:

JET PAIR WIDE FLANGE

DATE:

DRAWN:

Robert Gibbs

SCALE:

NTS

DWG. #:

3-5-3