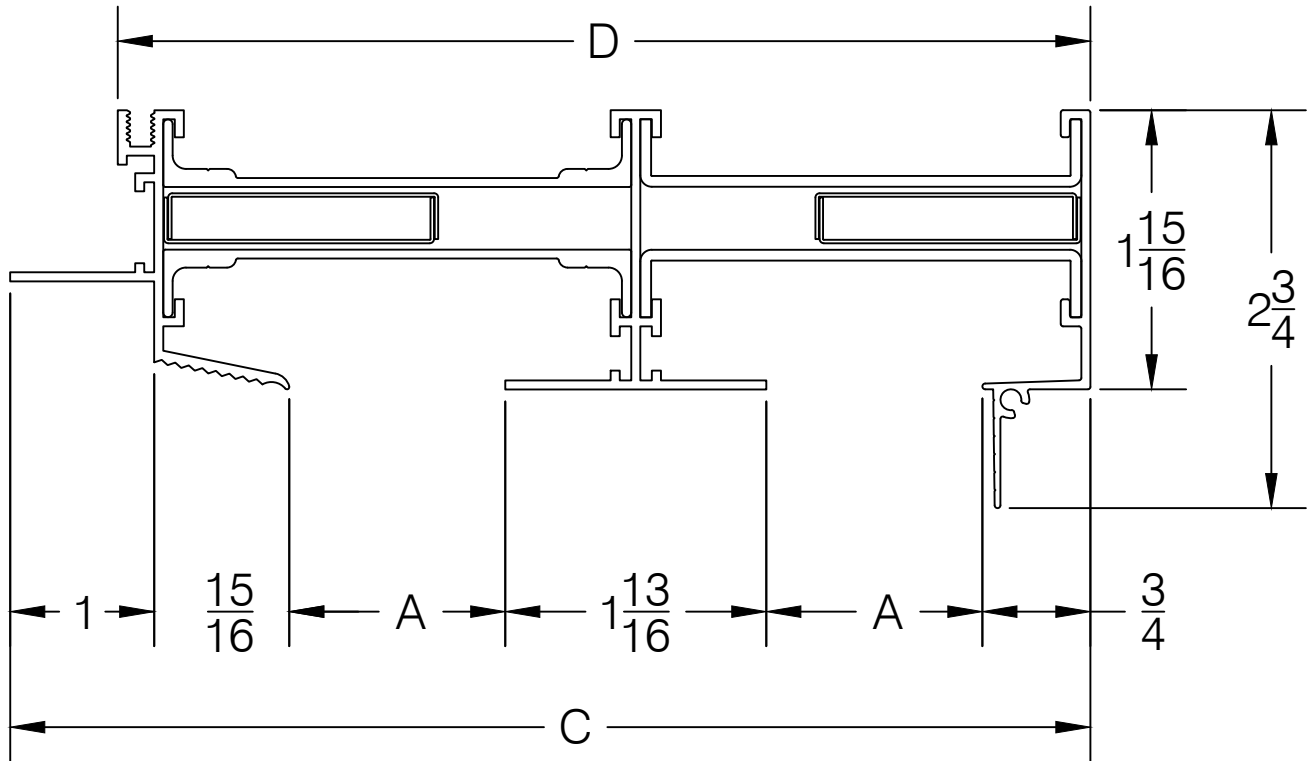




AIR FACTORS

4771 ARROYO VISTA, SUITE D
LIVERMORE, CA 94551

PH # 925-579-0040
FAX # 925-579-0044



| MODEL | A | C | D |
|----------------|-------|-------|-------|
| B-10(2)-HF-DW2 | 1 | 6-1/2 | 5-3/4 |
| B-15(2)-HF-DW2 | 1-1/2 | 7-1/2 | 6-3/4 |
| B-20(2)-HF-DW2 | 2 | 8-1/2 | 7-3/4 |

PROJECT:

TITLE:

2-SLOT PERIMETER DRYWALL HIDDEN

DATE:

DRAWN:

Robert Gibbs

SCALE:

NTS

DWG. #:

2-5-6-C2