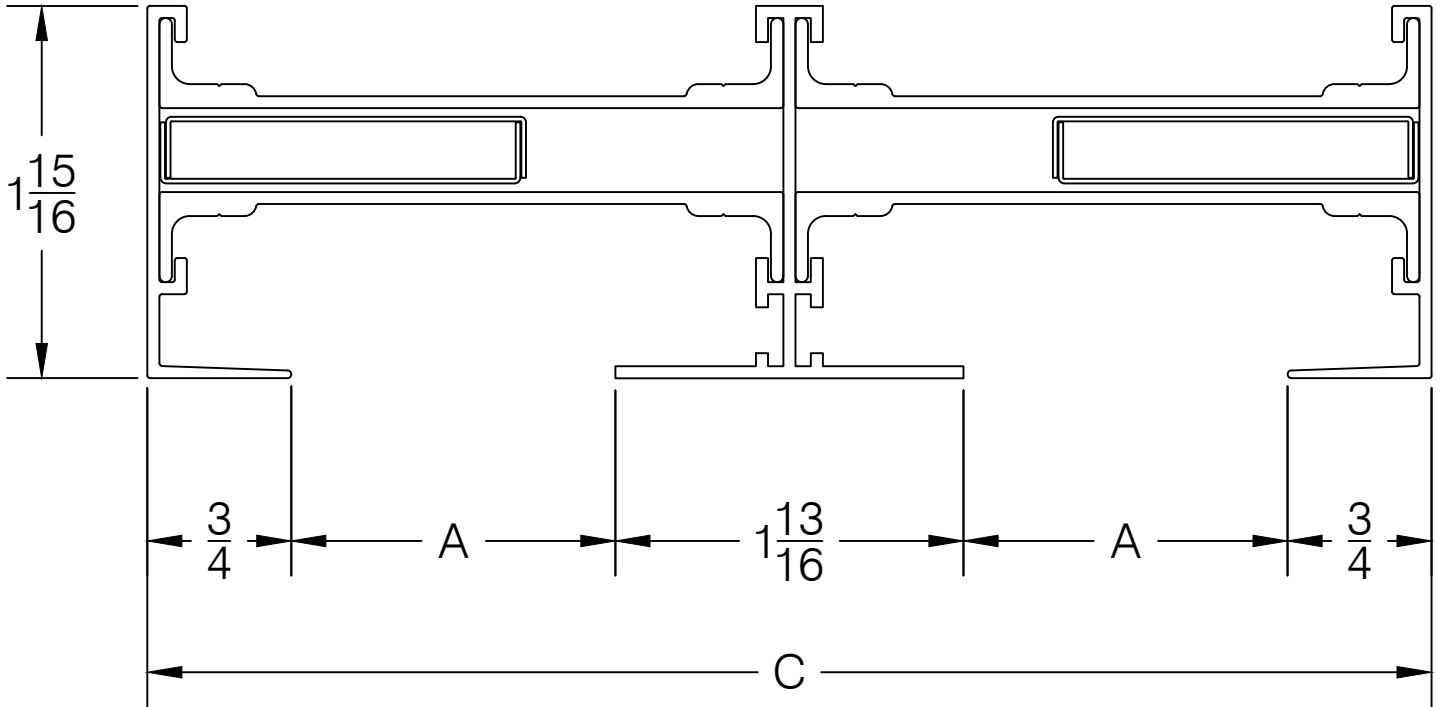




AIR FACTORS

4771 ARROYO VISTA, SUITE D
LIVERMORE, CA 94551

PH # 925-579-0040
FAX # 925-579-0044



MODEL	A	C
B-10(2)-GF4	1	5-5/16
B-15(2)-GF4	1-1/2	6-11/16
B-20(2)-GF4	2	7-5/16

A = Nominal slot opening

PROJECT:

TITLE:

GETTY FLANGE-4

DATE:

DRAWN:

Robert Gibbs

SCALE:

NTS

DWG. #:

2-5-11-A2