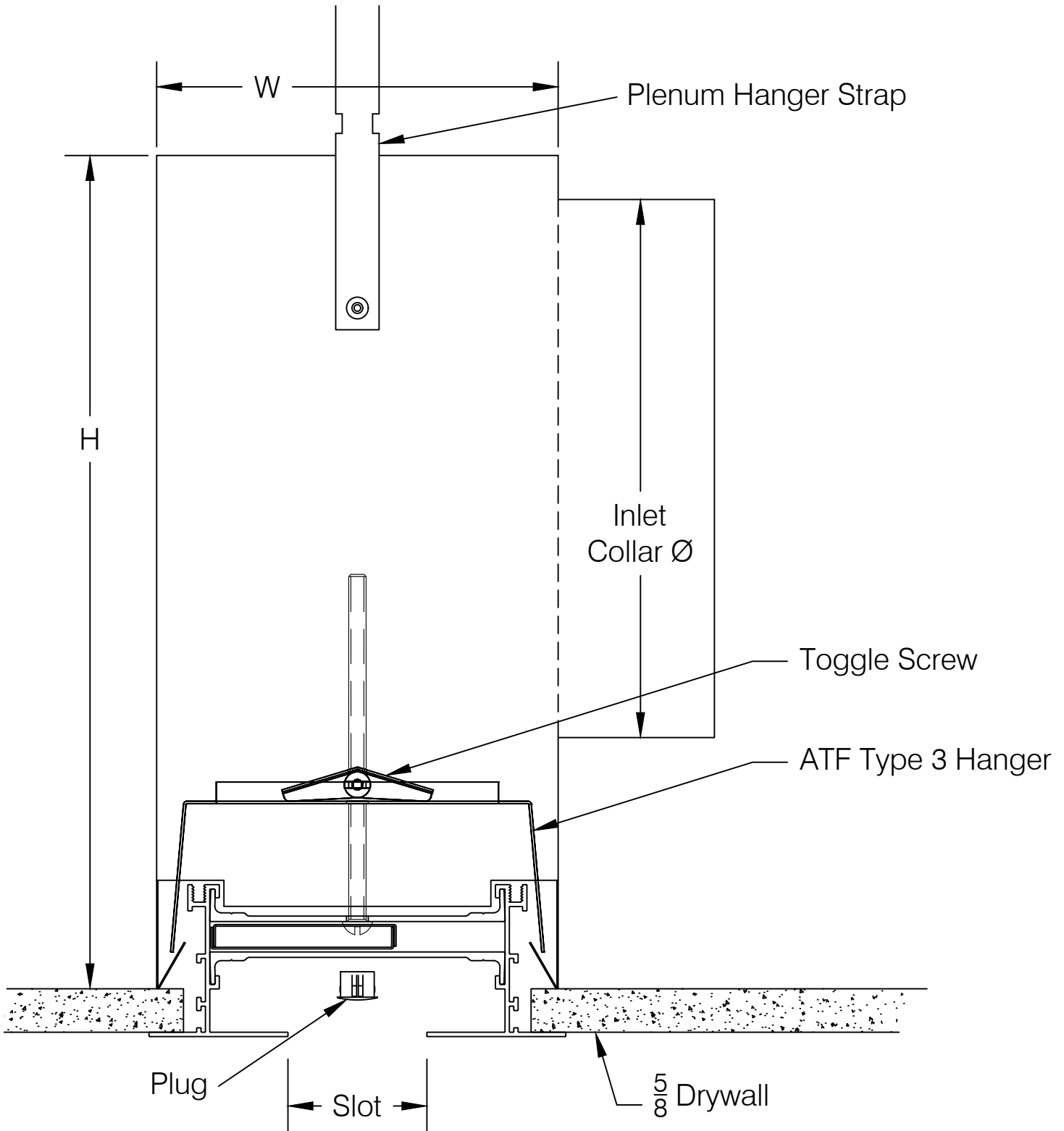




AIR FACTORS

4771 ARROYO VISTA, SUITE D
LIVERMORE, CA 94551

PH. # 925-579-0040
FAX # 925-579-0044



PROJECT:

TITLE:
Hemmed Edge Plenum & ATF Type-3 Hanger

DATE:

DRAWN:
Robert Gibbs

SCALE:
NTS

DWG. #:
9-52-E