

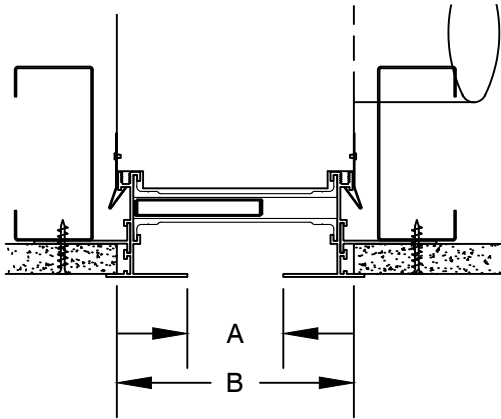


AIR FACTORS

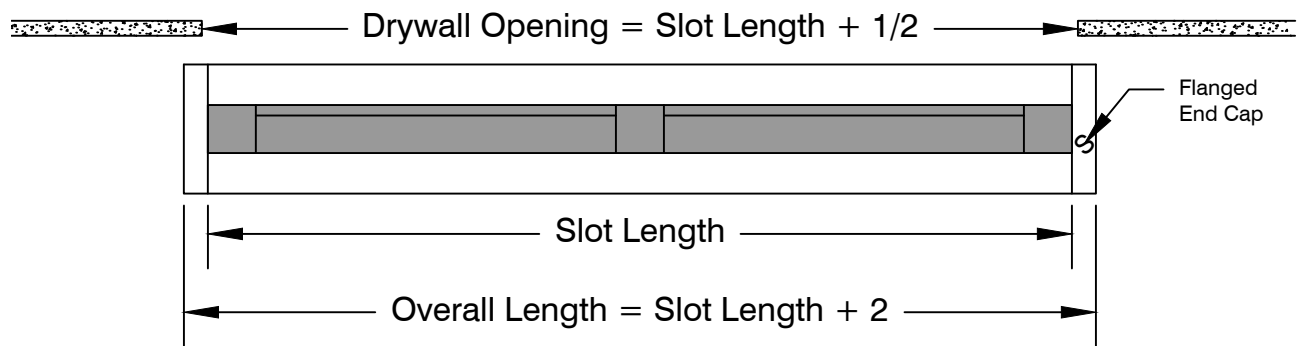
4771 ARROYO VISTA, SUITE D
LIVERMORE, CA 94551

PH. # 925-579-0040
FAX # 925-579-0044

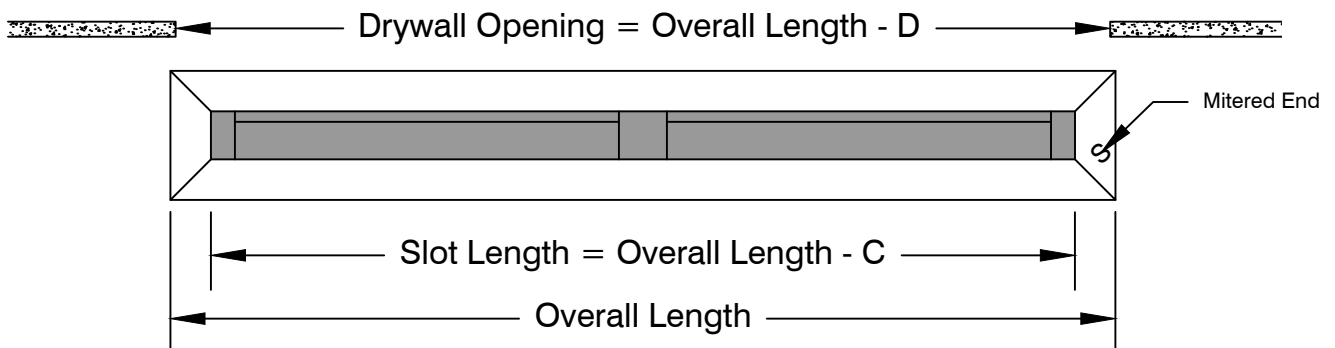
EXPOSED FLANGE AIR BAR - DRYWALL OPENING



AIR BAR	A Slot Width	B Drywall Opening
B-10-EE	1	3
B-15-EE	1-1/2	4
B-20-EE	2	5
B-25-EE	2-1/2	6-5/8
B-30-EE	3	7-1/8
B-40-EE	4	9-1/8



FLANGED END CAPS



AIR BAR	B10EE	B15EE	B20EE	B25EE	B30EE	B40EE
C	2-3/8	2-7/8	3-3/8	4-1/2	4-1/2	5-1/2
D	7/16	7/16	7/16	7/16	7/16	7/16

MITERED ENDS

9-51-A