

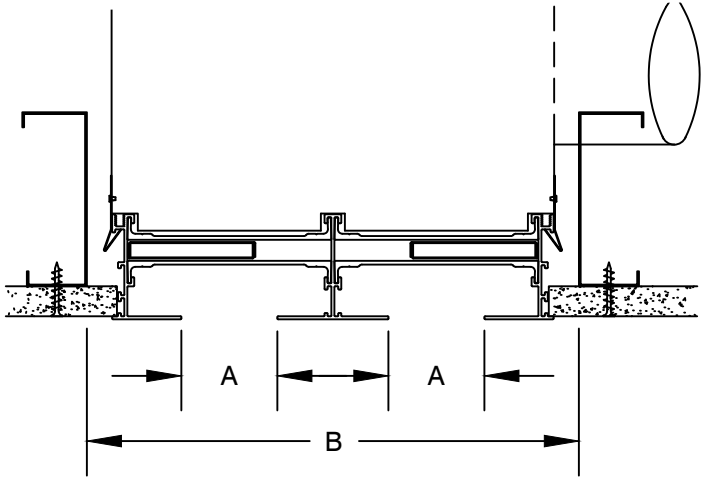


# AIR FACTORS

4771 ARROYO VISTA, SUITE D  
LIVERMORE, CA 94551

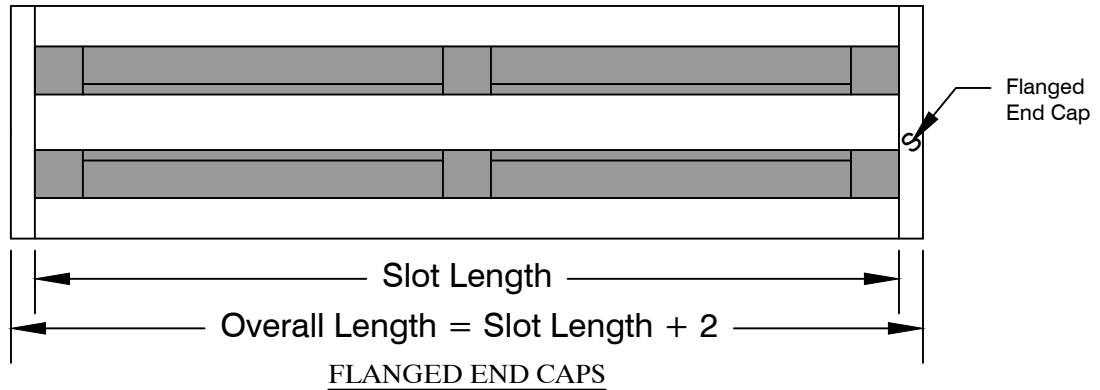
PH. # 925-579-0040  
FAX # 925-579-0044

## 2-SLOT FLUSH FLANGE - FRAMING OPENING

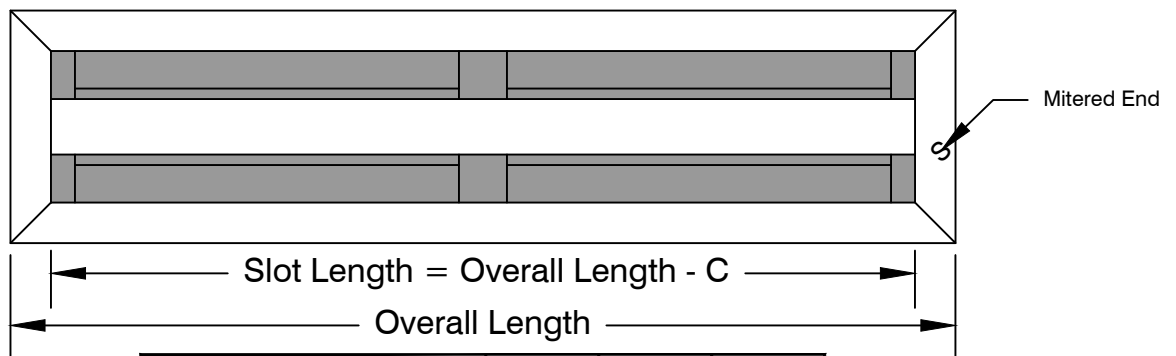


| AIR BAR    | A<br>Slot Width | B<br>Framing Opening |
|------------|-----------------|----------------------|
| B-10(2)-FF | 1               | 6-1/4                |
| B-15(2)-FF | 1-1/2           | 8-1/4                |
| B-20(2)-FF | 2               | 10-1/4               |
| B-25(2)-FF | 2-1/2           | 13-7/16              |
| B-30(2)-FF | 3               | 14-7/16              |

Drywall Opening = Slot Length +  $\frac{1}{2}$



Drywall Opening = Overall Length - D



| AIR BAR | B10(2)-FF | B15(2)-FF | B20(2)-FF | B25(2)-FF | B30(2)-FF |
|---------|-----------|-----------|-----------|-----------|-----------|
| C       | 2-3/8     | 2-7/8     | 3-3/8     | 4-1/2     | 4-1/2     |
| D       | 7/16      | 7/16      | 7/16      | 7/16      | 7/16      |

MITERED ENDS

9-D4-A