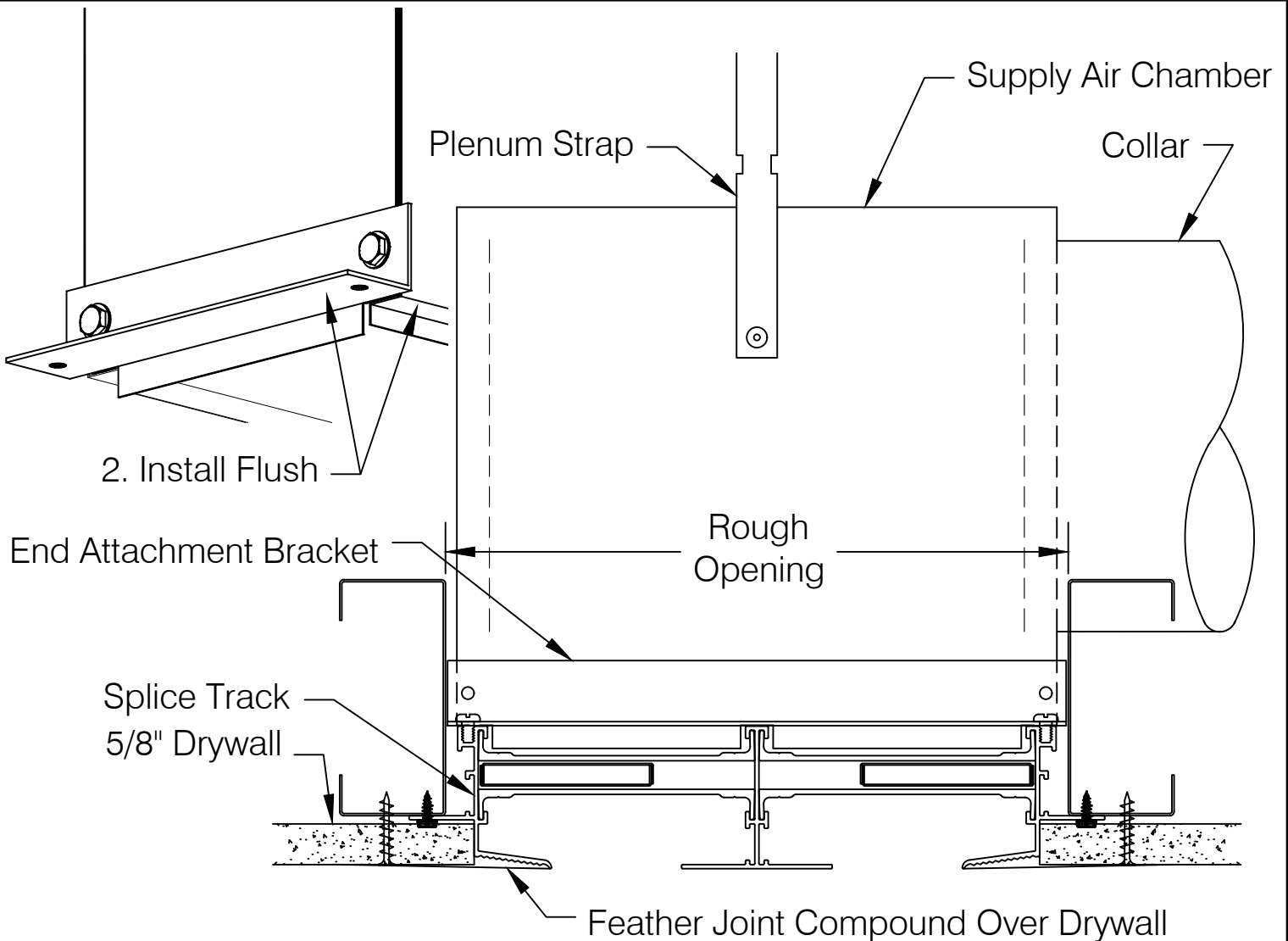




# AIR FACTORS

4771 ARROYO VISTA, SUITE D  
LIVERMORE, CA 94551

PH. # 925-579-0040  
FAX # 925-579-0044



## INSTALLATION FOR HIDDEN FLANGE AIR BAR

1. Drywall frame opening should match your Air Bar. See Frame Opening schedule for dimensions.
2. Fasten End Attachment Bracket to Supply Air Chamber with Tek screws.
3. Install Air Bar directly onto framing.
4. For continuous runs (more than one unit) install splice plates into the splice track on both sides and center of Air Bar.
5. Install end caps at each end of the Air Bar by sliding the end cap tabs into the splice track.
6. Fasten Supply Air Chamber to Air Bar with 10-24 screws and secure with hanger wires to the Plenum Straps.
7. Install drywall to complete the finished ceiling.

9-03-B