

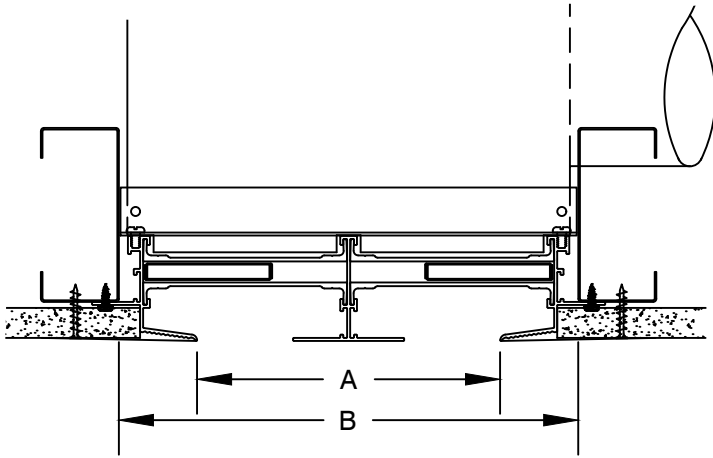


# AIR FACTORS

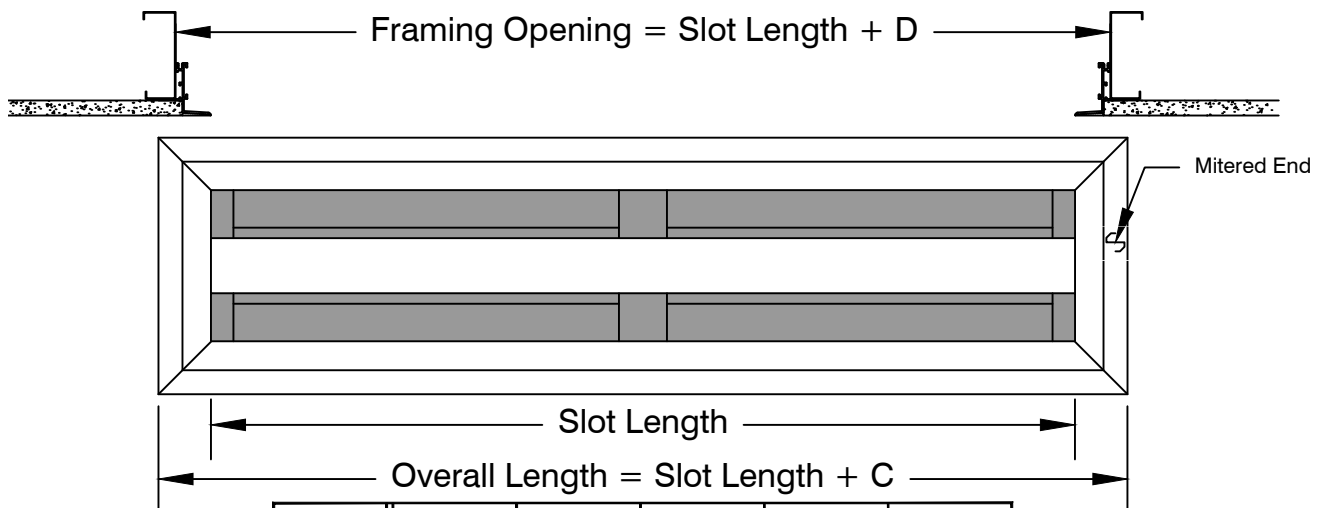
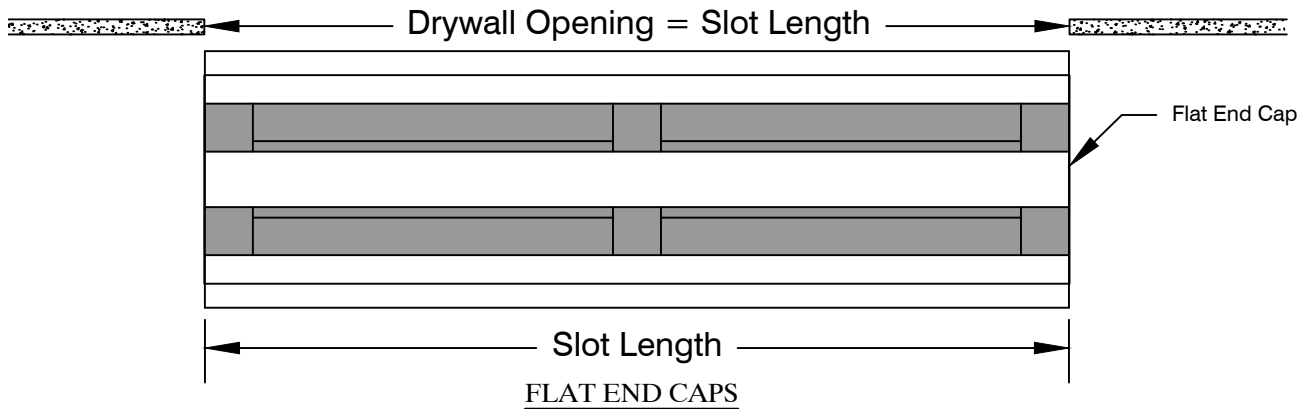
4771 ARROYO VISTA, SUITE D  
LIVERMORE, CA 94551

PH. # 925-579-0040  
FAX # 925-579-0044

## 2-SLOT HIDDEN FLANGE - FRAMING OPENING



Air Bar	A Slot Width	B Framing Opening
B-10(2)-HFHF	1	5-9/16
B-15(2)-HFHF	1-1/2	7-9/16
B-20(2)-HFHF	2	9-9/16
B-25(2)-HFHF	2-1/2	12-13/16
B-30(2)-HFHF	3	13-13/16



Air Bar	B10(2)HFHF	B15(2)HFHF	B20(2)HFHF	B25(2)HFHF	B30(2)HFHF
C	3-3/8	3-7/8	4-3/8	5-1/2	5-1/2
D	1-15/16	2-7/16	2-15/16	4-1/16	4-1/16

MITERED ENDS

9-03-A