



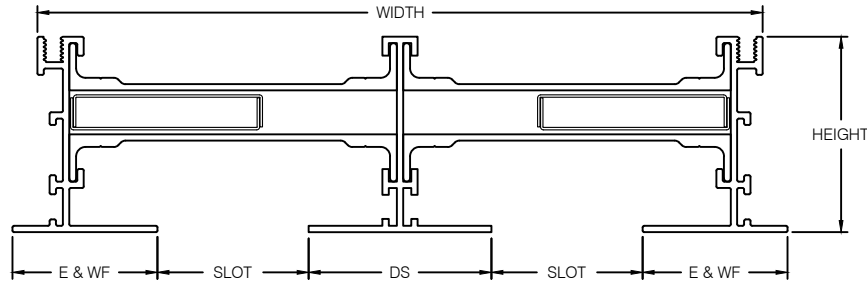
# AIR FACTORS

4771 ARROYO VISTA, SUITE D  
LIVERMORE, CA 94551

PH. # 925-579-0040  
FAX # 925-579-0044

### MODEL

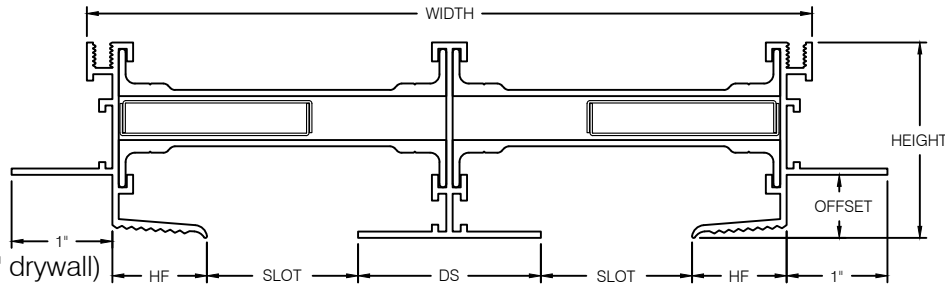
- B10(2)
- B15(2)
- B20(2)
- B25(2)
- B30(2)



BORDER TYPE E & WF

### MODEL

- B10(2)
- B15(2)
- B20(2)
- B25(2)
- B30(2)



BORDER TYPE HFHF

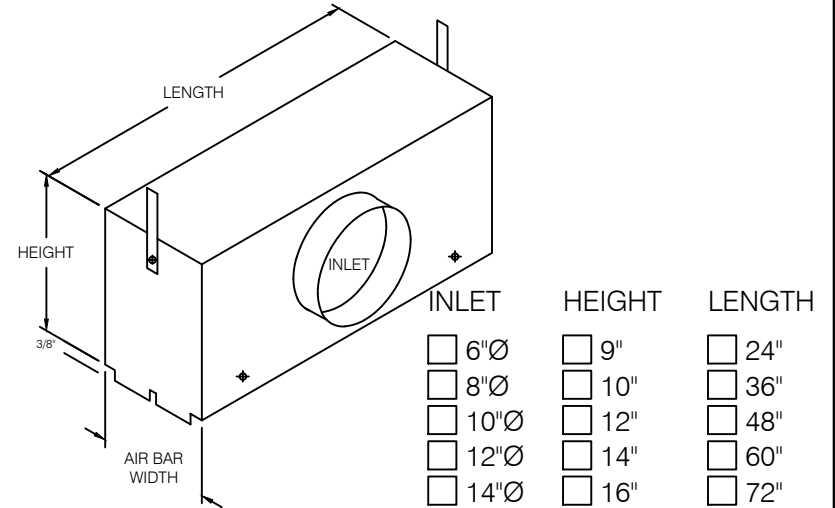
### OFFSET

- 5/8" (1/2" drywall)
- 3/4" (5/8" drywall)

### END CAPS

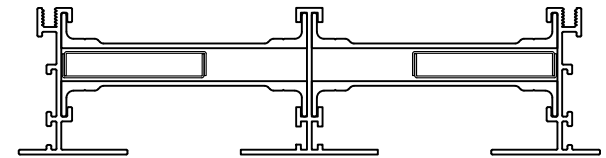
- FLAT END CAPS
- FLANGED END CAPS
- MITERED ENDS

MODEL	SLOT	E	HF	WF	DS	WIDTH	HEIGHT
B10(2)	1	1-3/16	11/16	1-1/2	1-5/16	5-3/16	1-11/16
B15(2)	1-1/2	1-7/16	15/16	2	1-13/16	7-3/16	1-15/16
B20(2)	2	1-11/16	1-3/16	2	2-5/16	9-3/16	2-3/16
B25(2)	2-1/2	2-1/4	1-3/4	2-1/2	3-13/32	12-13/32	2-3/4
B30(2)	3	2-1/4	1-3/4	2-1/2	3-13/32	13-13/32	2-3/4

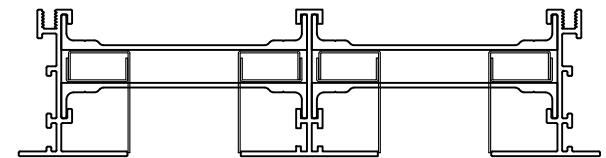


- |                               |                              |                              |
|-------------------------------|------------------------------|------------------------------|
| <input type="checkbox"/> 6"Ø  | <input type="checkbox"/> 9"  | <input type="checkbox"/> 24" |
| <input type="checkbox"/> 8"Ø  | <input type="checkbox"/> 10" | <input type="checkbox"/> 36" |
| <input type="checkbox"/> 10"Ø | <input type="checkbox"/> 12" | <input type="checkbox"/> 48" |
| <input type="checkbox"/> 12"Ø | <input type="checkbox"/> 14" | <input type="checkbox"/> 60" |
| <input type="checkbox"/> 14"Ø | <input type="checkbox"/> 16" | <input type="checkbox"/> 72" |

### PATTERN CONTROLLERS



STANDARD WEIRS



JET PAIR WEIRS

PROJECT:

TITLE:

DOUBLE SLOT AIR BAR SUBMITTAL SHEET

DATE:

DRAWN:

Sophie Duquay

SCALE:

NTS

DWG.#:

8-1-B