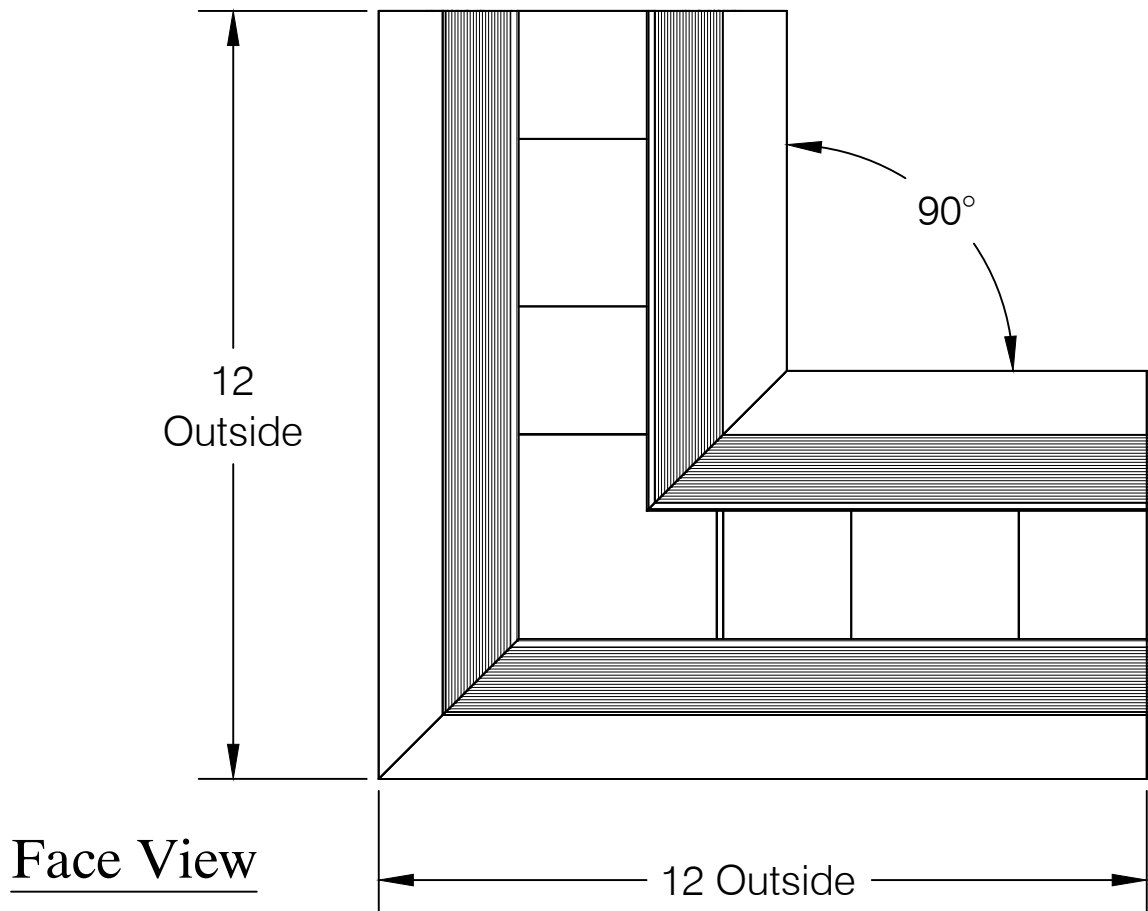
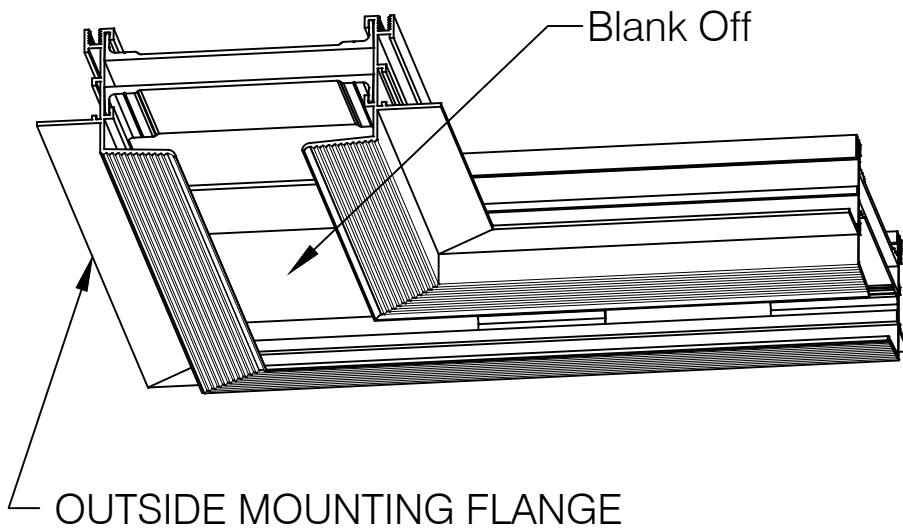




AIR FACTORS

4771 ARROYO VISTA, SUITE D
LIVERMORE, CA 94551

PH. # 925-579-0040
FAX # 925-579-0044



PROJECT:

TITLE:

Hidden Flange Mitered Corner

DATE:

DRAWN:

Robert Gibbs

SCALE:

NTS

DWG. #:

6-3D