



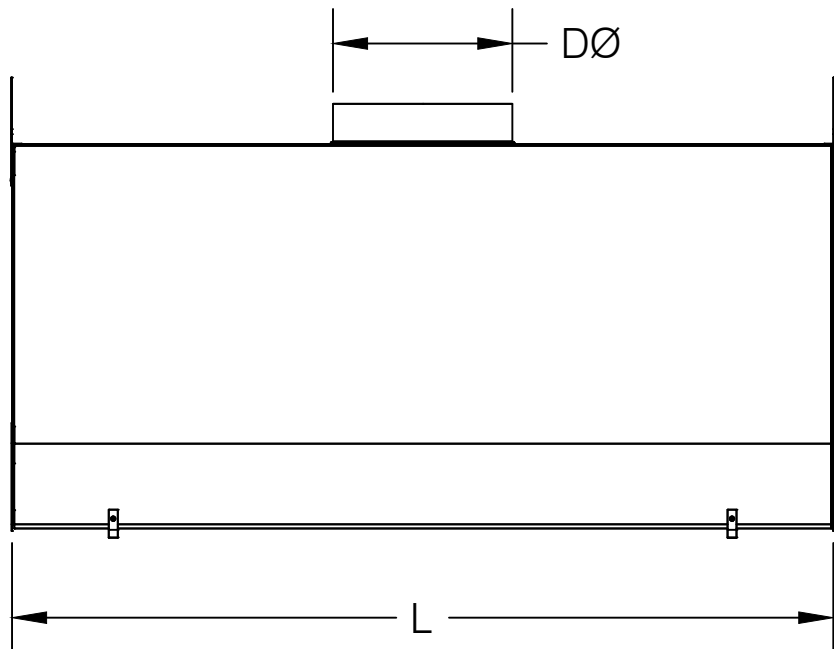
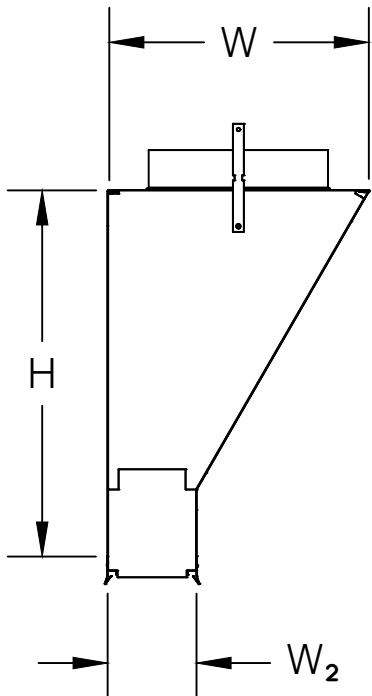
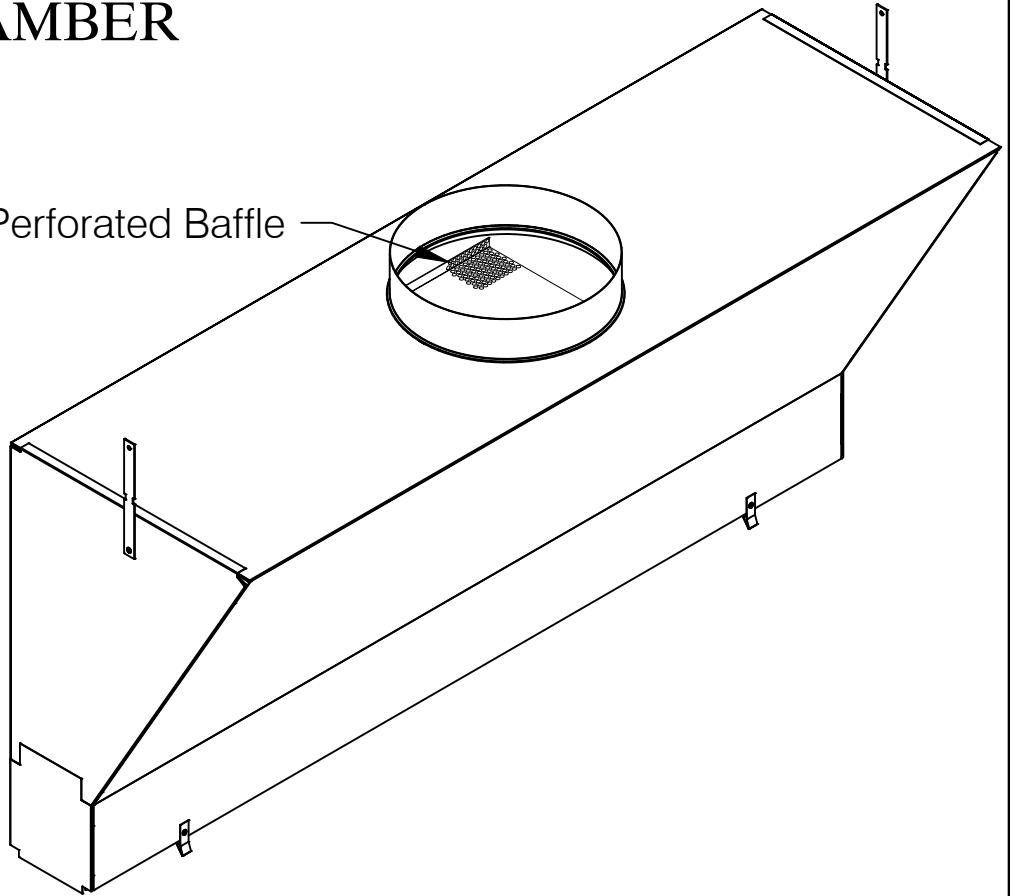
# AIR FACTORS

4771 ARROYO VISTA, SUITE D  
LIVERMORE, CA 94551

PH. # 925-579-0040  
FAX # 925-579-0044

## SUPPLY AIR CHAMBER Top Inlet

Perforated Baffle



PROJECT:

TITLE:

SUPPLY AIR CHAMBER - TOP INLET

DATE:

DRAWN:

Robert Gibbs

SCALE:

NTS

DWG. #:

5-5-5B