

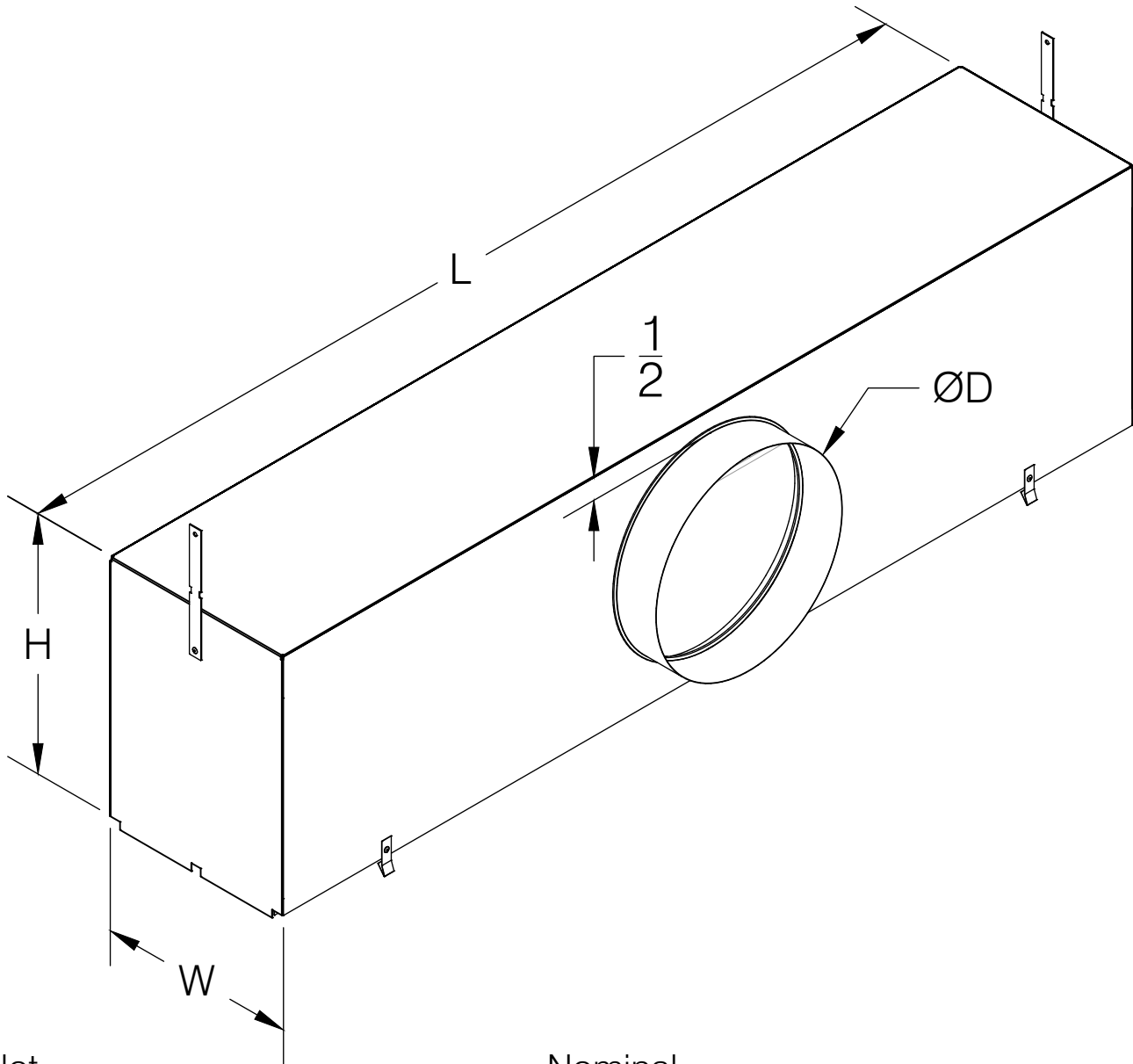


AIR FACTORS

4771 ARROYO VISTA, SUITE D
LIVERMORE, CA 94551

PH. # 925-579-0040
FAX # 925-579-0044

SUPPLY AIR CHAMBER Standard Dimensions 2-Slot



Slot	Width	Model	Dim "W"	Nominal Length	Dim "L"	Collar "D"	Dim "H"
1		SAC-10(2)-	5-7/32	24"	21-9/16	6" Ø	8 15/16
1 1/2		SAC-15(2)-	7-7/32	36"	33-9/16	8" Ø	9 15/16
2		SAC-20(2)-	9-7/32	48"	45-9/16	10" Ø	11 15/16
2 1/2		SAC-25(2)-	12-3/8	60"	57-9/16	12" Ø	13 15/16
3		SAC-30(2)-	13-3/8	72"	69-9/16	14" Ø	15 15/16

5-3A