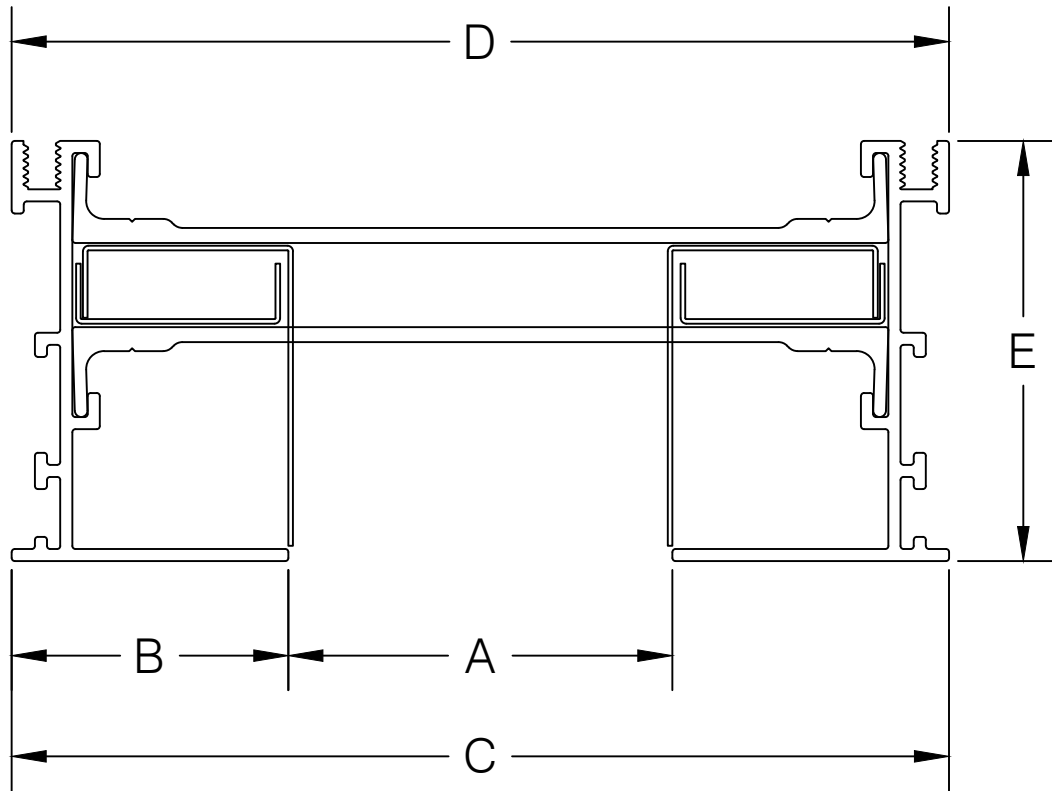




# AIR FACTORS

4771 ARROYO VISTA, SUITE D  
LIVERMORE, CA 94551

PH. # 925-579-0040  
FAX # 925-579-0044



MODEL	A	B	C	D	E
B-10-FF-JP	1	15/16	2-7/8	2-7/8	1-11/16
B-15-FF-JP	1-1/2	1-3/16	3-7/8	3-7/8	1-15/16
B-20-FF-JP	2	1-7/16	4-7/8	4-7/8	2-3/16
B-25-FF-JP	2-1/2	1-3/4	6	6	2-1/2
B-30-FF-JP	3	2	7	7	2-3/4

PROJECT:

TITLE:

JET PAIR FLUSH FLANGE

DATE:

DRAWN:

Robert Gibbs

SCALE:

NTS

DWG. #:

3-5-4A