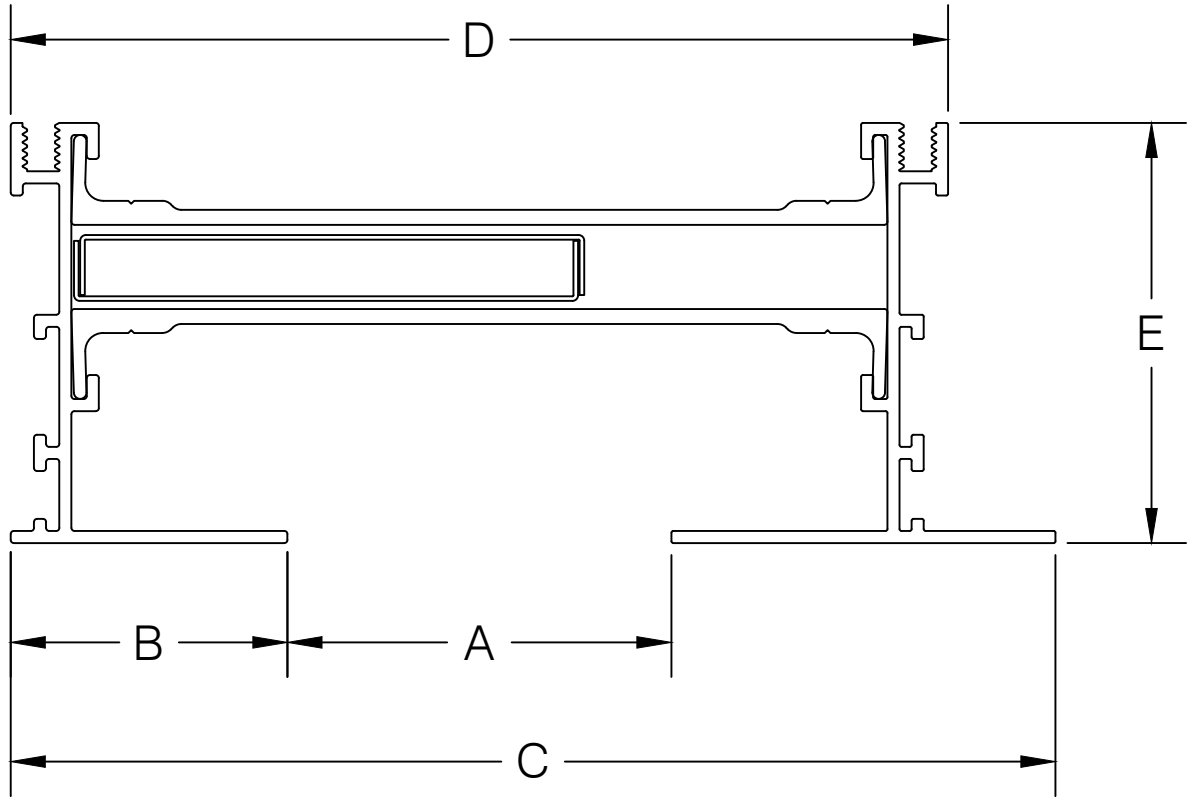




# AIR FACTORS

4771 ARROYO VISTA, SUITE D  
LIVERMORE, CA 94551

PH. # 925-579-0040  
FAX # 925-579-0044



MODEL	A	B	C	D	E
B-10-F-WF	1	15/16	3-7/16	2-7/8	1-11/16
B-15-F-WF	1-1/2	1-3/16	4-11/16	3-7/8	1-15/16
B-20-F-WF	2	1-7/16	5-7/16	4-7/8	2-3/16
B-25-F-WF	2-1/2	1-3/4	6-1/2	6	2-1/2
B-30-F-WF	3	2	7-1/2	7	2-3/4

PROJECT:

TITLE:

FLUSH-WIDE FLANGE

DATE:

DRAWN:

Robert Gibbs

SCALE:

NTS

DWG. #:

2-5-8 BI