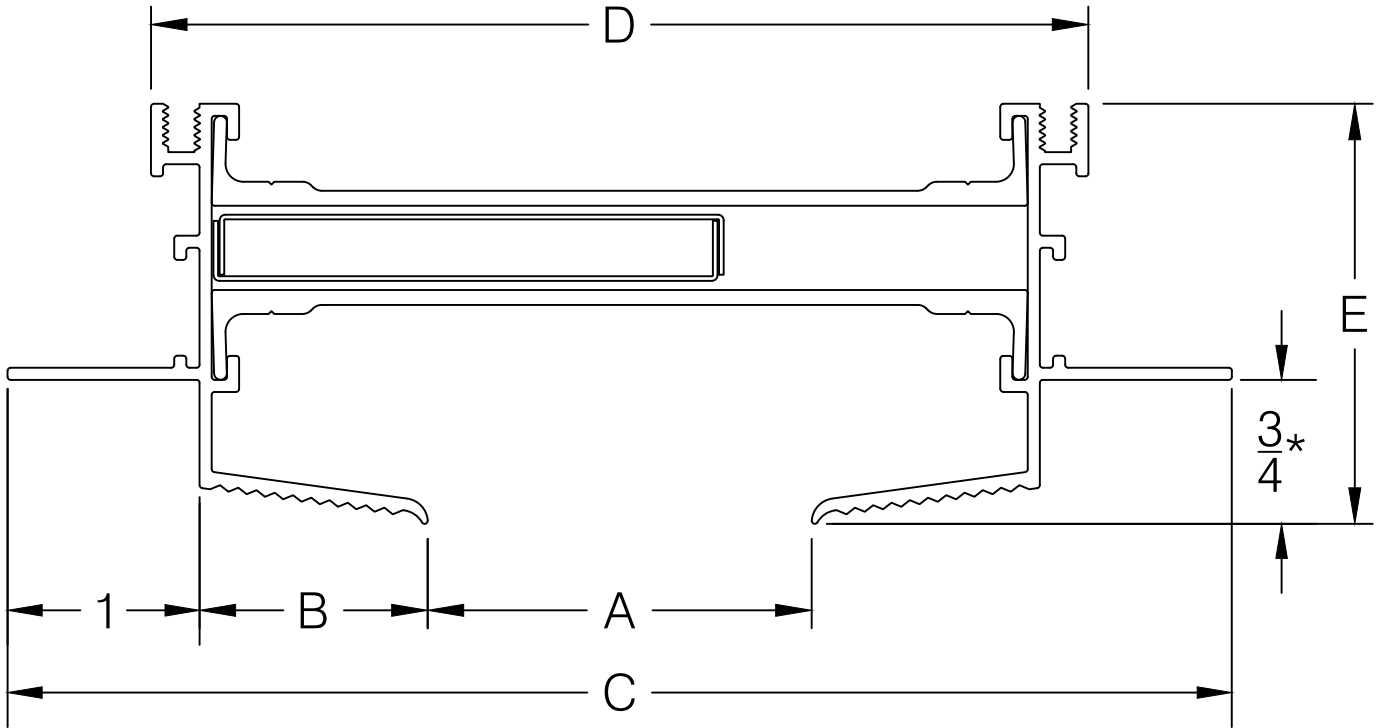




AIR FACTORS

4771 ARROYO VISTA, SUITE D
LIVERMORE, CA 94551

PH. # 925-579-0040
FAX # 925-579-0044



*Recommended for 5/8" Drywall

MODEL	A	B	C	D	E
B-10-HFHF	1	11/16	4-3/8	2-7/8	1-11/16
B-15-HFHF	1-1/2	15/16	5-3/8	3-7/8	1-15/16
B-20-HFHF	2	1-3/16	6-3/8	4-7/8	2-3/16
B-25-HFHF	2-1/2	1-1/2	7-1/2	6	2-1/2
B-30-HFHF	3	1-3/4	8-1/2	7	2-3/4

PROJECT: SUTTER HOSPITAL CAFE

TITLE: HIDDEN FLANGE - 3/4

DATE: 6/15/16

DRAWN: Robert Gibbs

SCALE: NTS

DWG.#: 2-5-4B